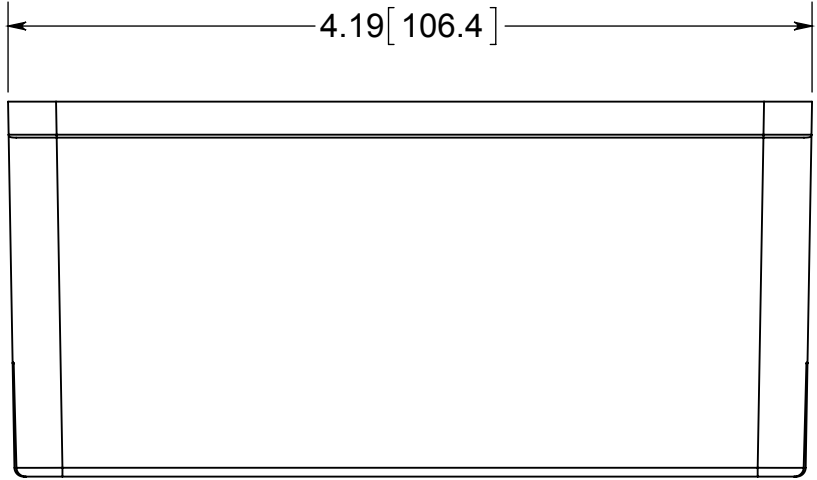
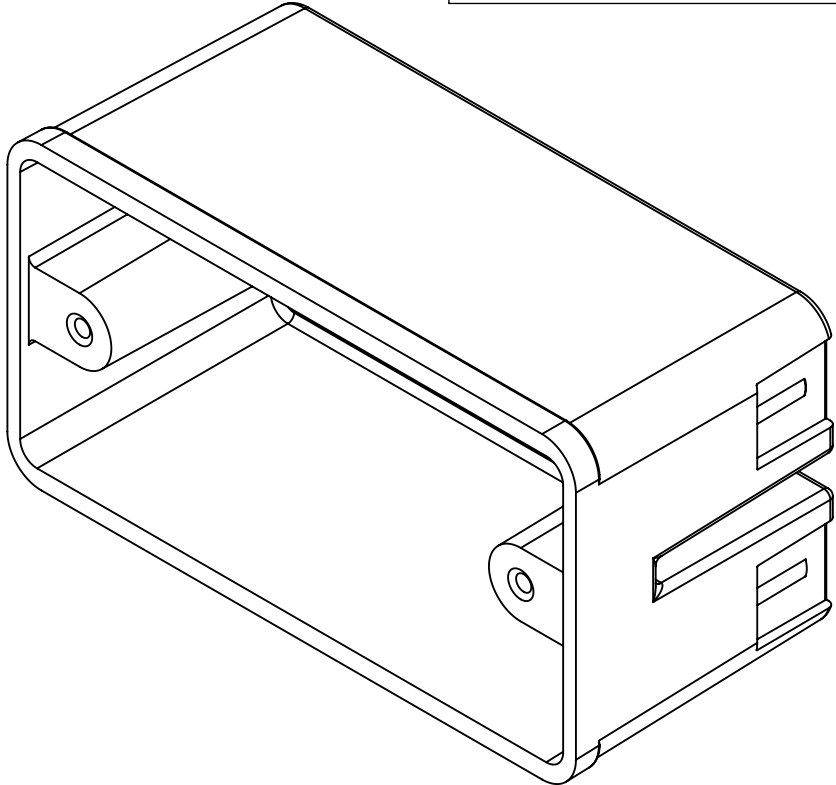
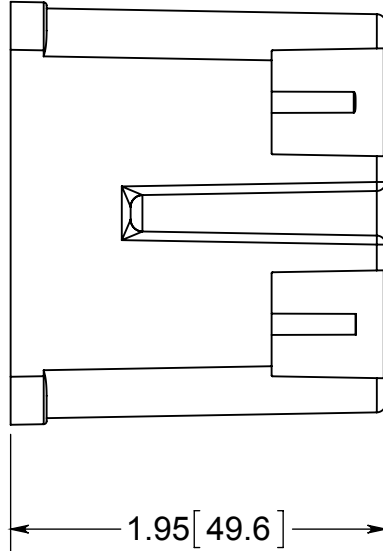
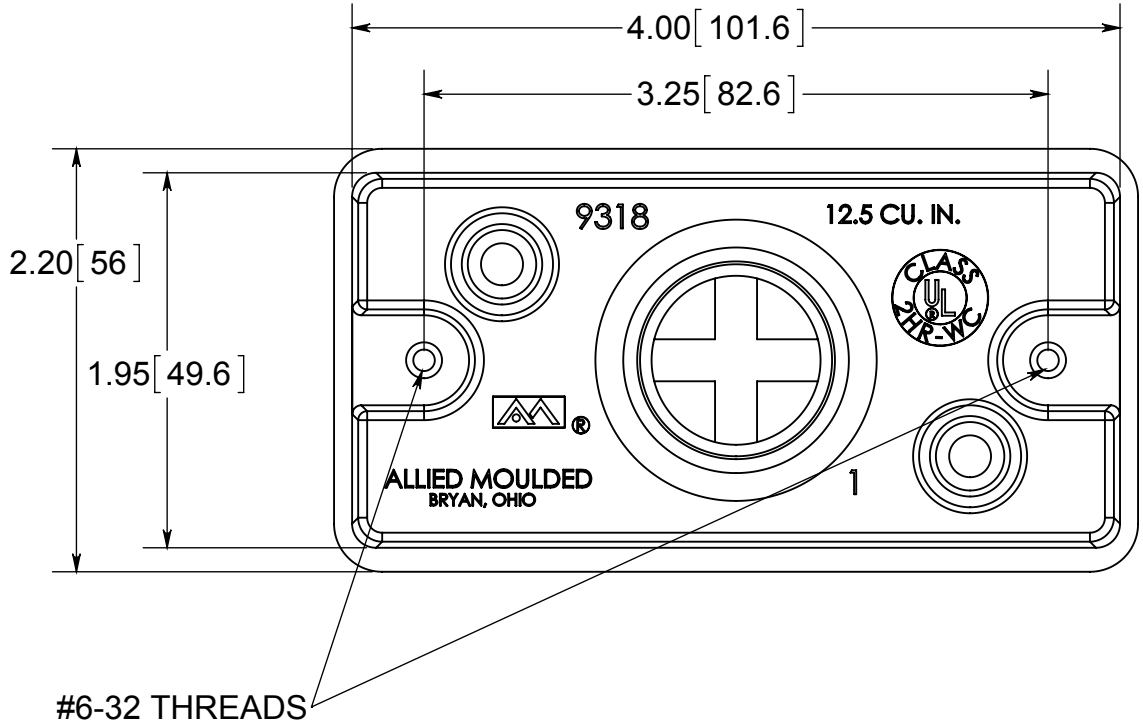


fiberglass BOX™



NOTES:
1.) BOX MATERIAL: FIBERGLASS REINFORCED POLYESTER
2.) UL LISTED WITH 2 HOUR FIRE RATING FOR WALL AND CEILING

 **ALLIED MOULDED PRODUCTS**
BRYAN, OHIO
The Original Fiber Glass Outlet Box

PRODUCT SERIES
SINGLE GANG HANDY BOX 12.5 CU. IN.

CONFIDENTIAL
THIS MATERIAL IS OWNED BY THE ALLIED MOULDED PRODUCTS COMPANY, IS DISCLOSED IN CONFIDENCE, AND IS NOT TO BE REPRODUCED OR DISTRIBUTED WITHOUT PRIOR WRITTEN PERMISSION FROM ALLIED MOULDED PRODUCTS.

Part No.
9318