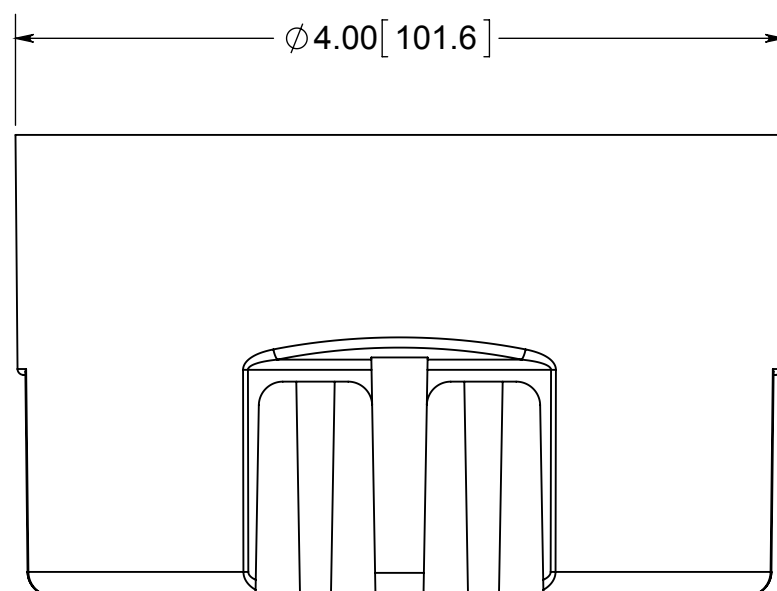
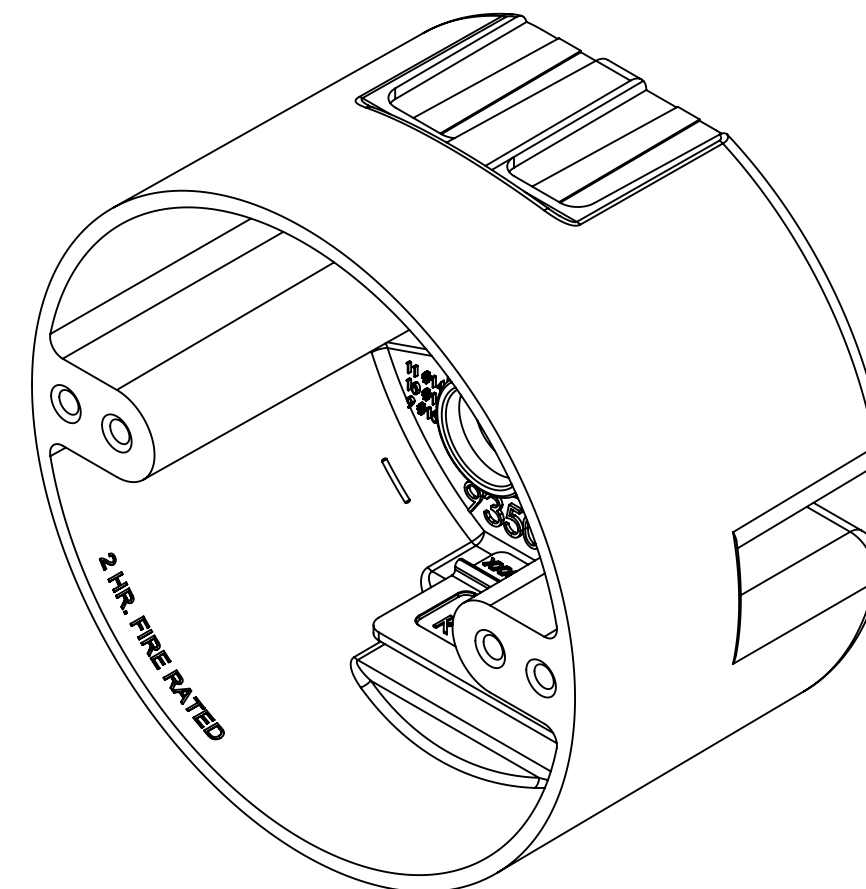
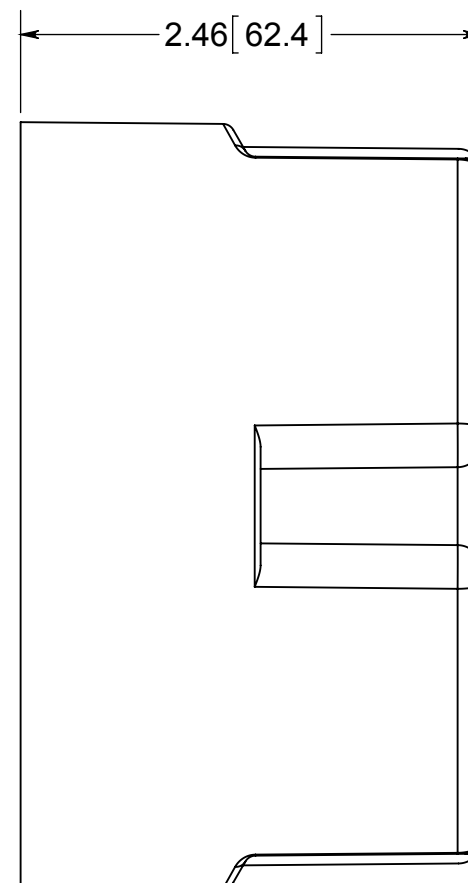
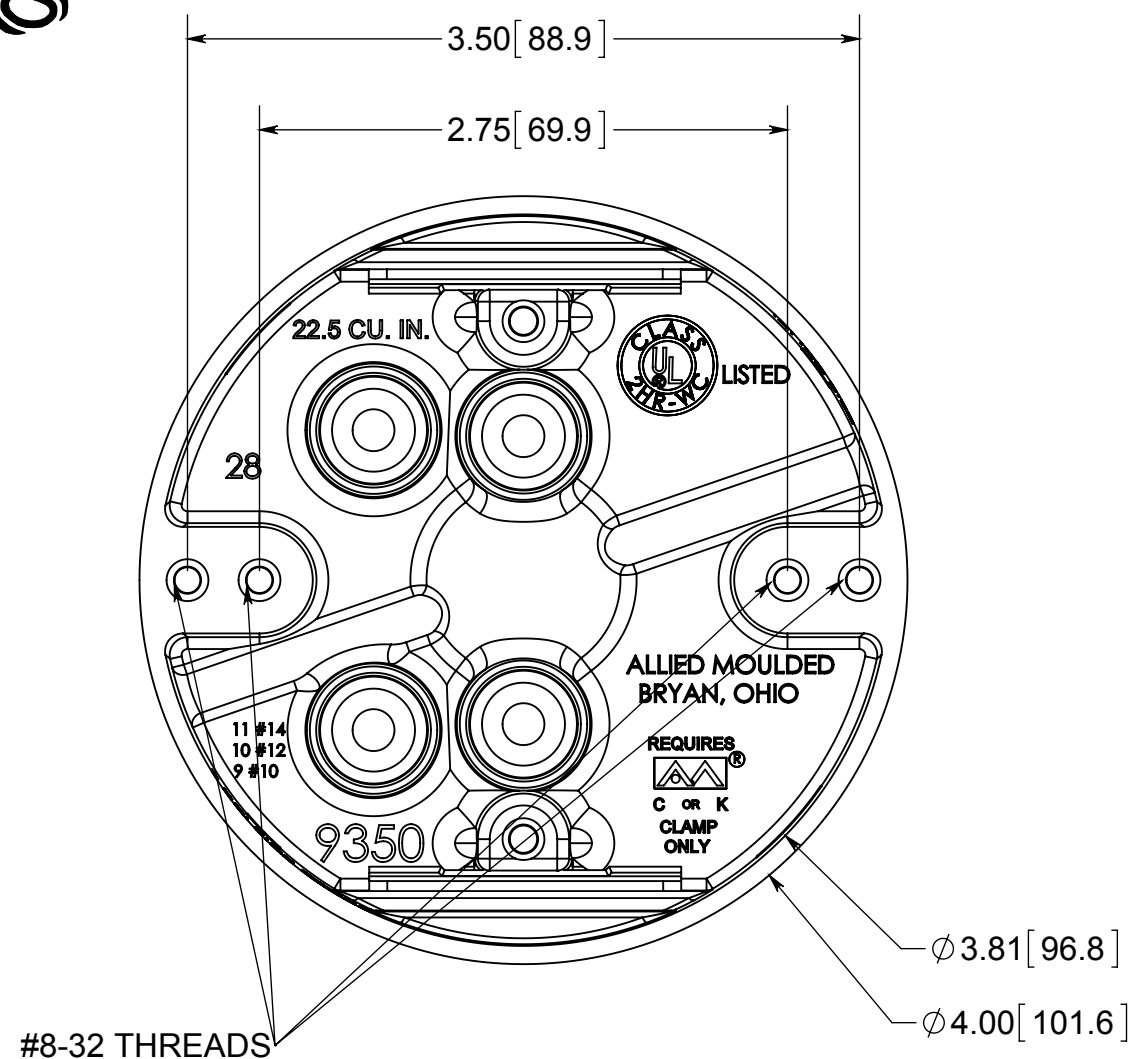


fiberglass BOX™

ISSUE DATE: 06/18/2015



- NOTES:
1.) BOX MATERIAL: FIBERGLASS REINFORCED POLYESTER, SPEED KLAMP MATERIAL: PVC, MOUNTING HARDWARE MATERIAL: ZINC PLATED STEEL
2.) UL LISTED WITH 2 HOUR FIRE RATING FOR WALL AND CEILING
3.) RATED FOR 35LB FAN AND 50LB FIXTURE
4.) 2 SPEED KLAMPS FACTORY INSTALLED
5.) MOUNTING HARDWARE INCLUDED: 2x #8-32 X 1.25 MACHINE SCREWS AND 2x #12-14 X 1.50 TAPPING SCREWS

 **ALLIED MOULDED PRODUCTS**
BRYAN, OHIO
The Original Fiber Glass Outlet Box

PRODUCT SERIES

4" ROUND 22.5 CU. IN.

Part No.

9350-KFR

CONFIDENTIAL

THIS MATERIAL IS OWNED BY THE ALLIED MOULDED PRODUCTS COMPANY, IS DISCLOSED IN CONFIDENCE, AND IS NOT TO BE REPRODUCED OR DISTRIBUTED WITHOUT PRIOR WRITTEN PERMISSION FROM ALLIED MOULDED PRODUCTS.