

Inspection Window

Nonmetallic Inspection Window Kit

Base P/N AMHMI

Allied Moulded's new inspection window kits are designed to provide visibility and easy viewing access to equipment and components installed in an enclosure, while maintaining ratings up through NEMA Type 4X. The window kit features a strong and rigid design, securely mounting to the outside of most enclosure designs. The window kit is available in three convenient sizes to allow for sufficient viewing space in any required application.

The window kit features an aesthetically pleasing design made from clear polycarbonate thermoplastic, and includes all mounting hardware to securely fasten to an enclosure on a flat surface. Also featuring a Formed-In-Place (FIP) polyurethane gasket system, the mounted window protects from outside elements such as ultraviolet (UV) rays, dirt, dust, and water.



APPLICATION

- Ideal for providing a convenient viewable area not accessible to equipment and components installed inside an enclosure
- Especially well suited for high temperature or corrosive environments
- Includes mounting hole pattern for easy window installation
- Protects from UV, dirt, dust, oil and water

STANDARDS

- UL® listed and recognized component for use with CSA® listed enclosure products Types 1, 2, 3, 3R, 4, 4X, 12 and 13
- EN / IEC 60204-1 and 60529 Type IP66

CONSTRUCTION

- Clear polycarbonate thermoplastic
- UV stabilized for outdoor use
- Formed-In-Place (FIP) polyurethane gasket in continuous channel
- Designed for use with wall thicknesses from 16 gauge through 1/4"
- #10-32 threaded brass inserts with plated steel mounting fasteners
- Convenient sizes for easy viewing access to a variety of enclosure applications

OTHER ACCESSORIES

- ULTRAPLUG® Hole Plug Assemblies
- Pole Mount Kits
- HMI Cover Kit
- Back Panels
- Hinged Front Panels
- Exhaust Filter Kits
- Thermal Management Products



Scan to learn more
about Inspection
Windows!

CONTACT INFORMATION

Allied Moulded Products Inc.
222 North Union Street
Bryan, OH 43506 USA

Phone: 1-800-722-2679

Fax: 1-800-237-7269

Email: sales@alliedmoulded.com

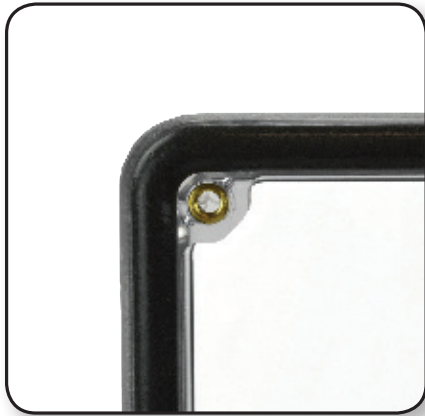


**ALLIED
MOULDED
PRODUCTS, Inc.**

www.alliedmoulded.com

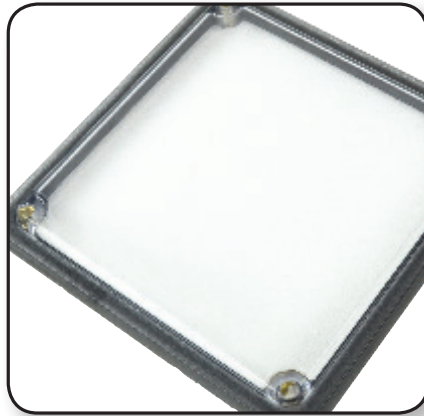
Inspection Window Specifications

Though it is small, Allied Moulded's inspection window provides a variety of features and benefits to suit even the toughest applications. From the threaded brass inserts, to the formed-in-place gasket, every feature allows our product to stand out from the competition.



Formed-In-Place Gasket System

Polyurethane gasket system, encased in a continuous channel for maximum protection from extreme weather conditions and environments.



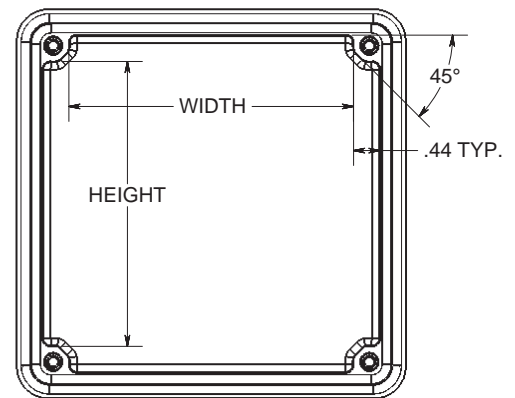
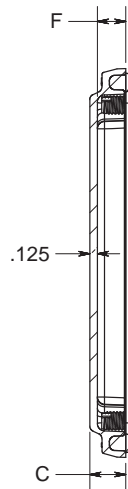
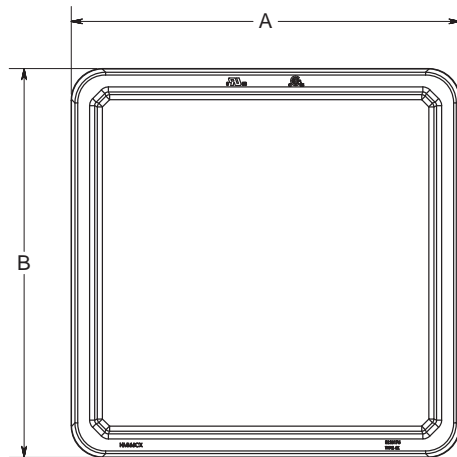
Aesthetically Pleasing Design

Uniform design with slightly raised cover plate edges for a maximum viewing area. The polycarbonate window allows for crystal clear vision inside the enclosure.



Threaded Brass Inserts

#10-32 threaded brass inserts allow the window to be securely fastened to the enclosure. No need to worry about loose connections!



VIEWABLE AREA

Note: For use on flat smooth surfaces of NEMA Types 1, 3, 3R, 4, 4X, 12 or 13 enclosures

Part No.	Frame Size Inside Dimensions			Usable Depth F	Max Viewing Area		Nom. Wall Thickness
	A	B	C		Width	Height	
AMHMI66CX	6.5	6.5	0.6	0.47	5.64	5.64	0.125
	165mm	165mm	15mm	12mm	143mm	143mm	3mm
AMHMI95CX	7.25	10	0.6	0.47	5.55	9.14	0.125
	184mm	254mm	15mm	12mm	141mm	232mm	3mm
AMHMI138CX	9.7	14.7	0.6	0.47	8	13	0.125
	246mm	373mm	15mm	12mm	203mm	330mm	3mm

All dimensions are in inches unless otherwise noted

